

**EXACT12 SAFETY, FIX. CABLE, P1-4 M12 5POLE LED,**

P5-8 M12 4/3-pol 1:1 no LED, 3m PUR/PVC

8-way, 5-pole

Homerun cable with spring clamp terminals

4-/3-pole

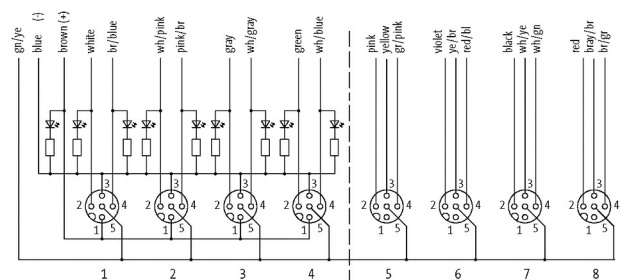
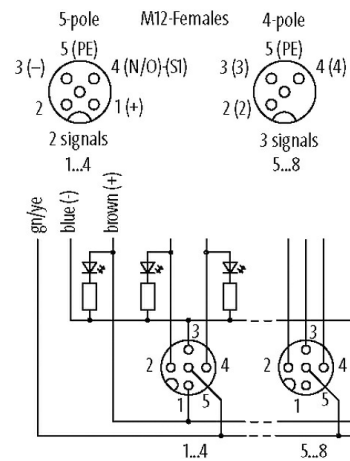
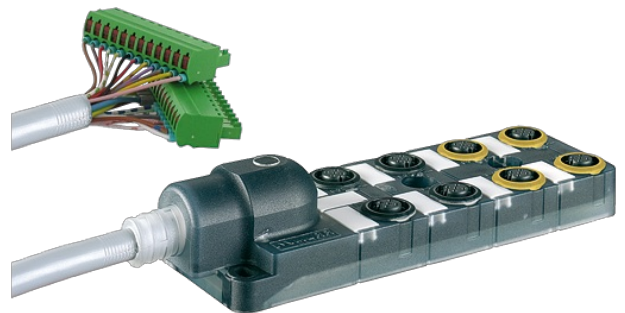
Further cable lengths on request.

Plastic housings with good resistance against chemicals and oils.

The resistance to aggressive media should be individually tested for your application. Further details on request.

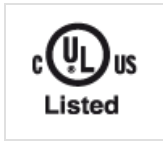
PUR/PVC

3.0 m

[Link to Product](#)**Illustration**

Product may differ from Image

**Approvals**



### Contact Layout

PIN 1	(+) port 1...4
PIN 2	(NC)/(S2) port 1...4; (S1) port 5...8
PIN 3	(-) port 1...4; (S2) port 5...8
PIN 4	(NO)/(S1) port 1...4; (S3) port 5...8
PIN 5	(Earth)
LED display	LED (green): Power / LED (yellow): (S1) / LED (white): Signal (S2) port 1...4

### General data

Temperature range	-20...+60 °C, depending on cable quality
-------------------	--

### Cables

Cable number	407
No./diameter of wires	20× 0.34 + 3× 0.75 mm <sup>2</sup>
Wire isolation	PVC
C-track properties	2 Mio.
Jacket Color	gray
Material (jacket)	PUR/PVC (UL/CSA)
Outer Ø	10.0 mm ±5%
Bend radius (fixed)	10× outer Ø
Bend radius (moving)	12× outer Ø
Temperature range (fixed)	-30...+80 °C
Temperature range (mobile)	-5...+60 °C

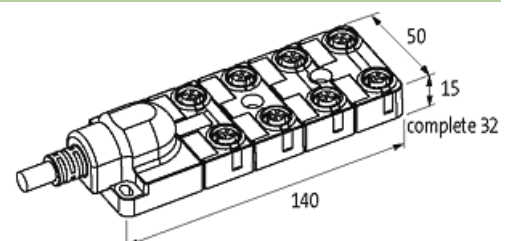
### Technical Data

Operating voltage	24 V DC
Operating current per contact	max. 4 A
Total current	max. 8 A
Protection	IP65/IP67
Housing	Plastic, flame retardant
Locking of ports	Screw thread (M12×1 mm)

### Commercial data

country of origin	DE
customs tariff number	85444290
EAN	4048879053570
eClass	27143423
Packaging unit	1

### Sketch



Product may differ from Image

